

### Overview

The **EK-4RDR-8**, **EK-4RDR-12** and **EK-4RDR-ADD** multi-door controller kits are space saving solutions to install up to 6 KT-300 door controllers in a single cabinet.

### Documents Required (each document is enclosed in their corresponding box)

- Kantech, KT-300 Door Controller, *Installation Manual*, DN1315
- DSC, *HS-CAB1000ND/HS-CAB3000/HS-CAB4000 Cabinets Installation Instructions*, 29034657R002
- DSC, *HS-LDR Series – Cabinet Doors Installation Instructions*, 29034658R002
- DSC, *HS-MP Series Mounting Plate Installation Instructions*, 29005201R001
- DSC, *HS-BB100/HS-BB101 Battery Bracket Installation Instructions*, 29005199R004

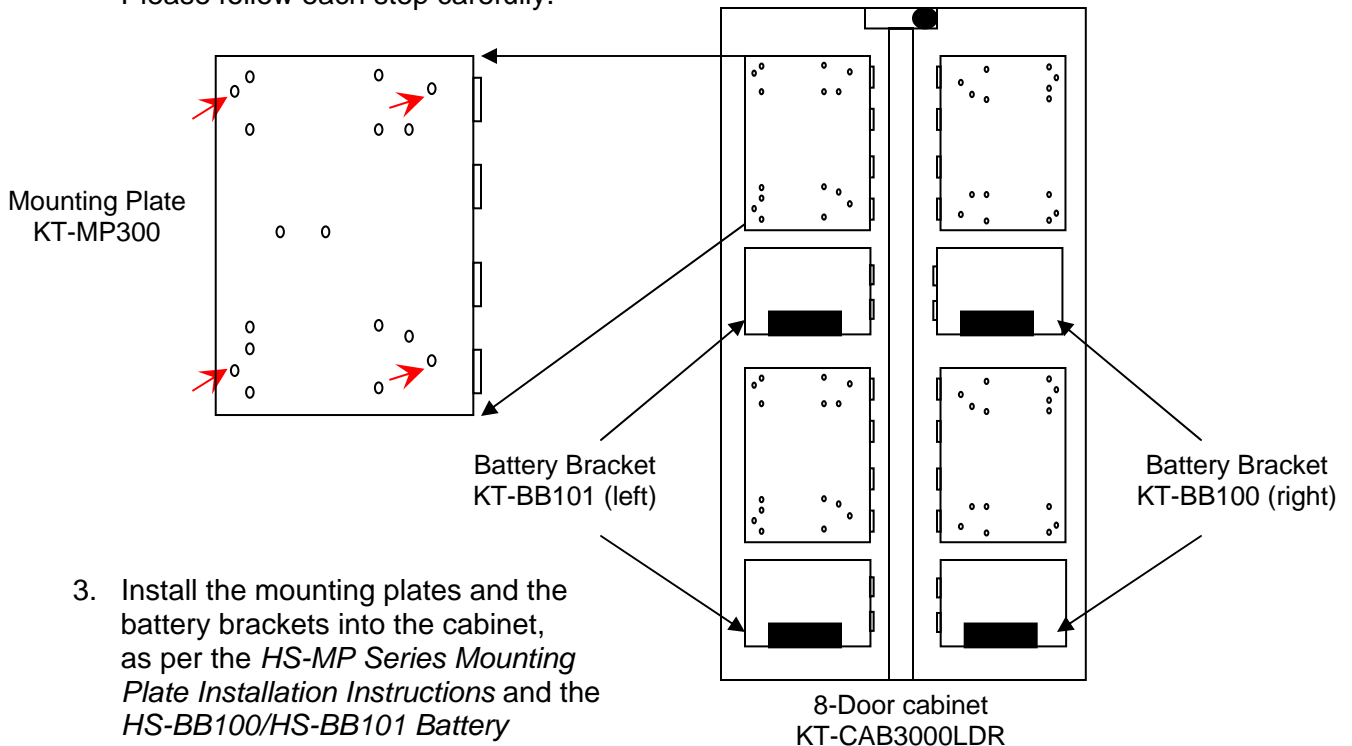
### Installation Steps

1. All multi-door kits must be installed as per the **Surface-Mount installation** section in the *HS-CAB1000ND/HS-CAB3000/HS-CAB4000 Cabinets Installation Instructions* provided with the cabinet.

**Note:** Make sure the cabinet is in the upward position, and the tamper switch location is on top.

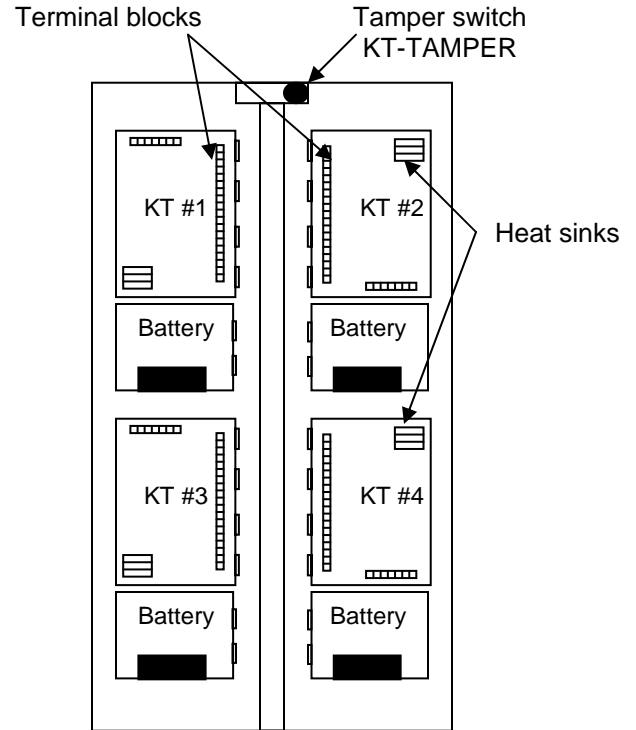
2. Insert the 4 standoffs, supplied with the KT-300, into each mounting plate as per the figure below.

**Note:** Don't install the KT-300 door controllers on the mounting plates yet. Please follow each step carefully.



3. Install the mounting plates and the battery brackets into the cabinet, as per the *HS-MP Series Mounting Plate Installation Instructions* and the *HS-BB100/HS-BB101 Battery Bracket Installation Instructions*.

4. Install the KT-300 on each mounting plate. Make sure the KT-300 terminal block is positioned towards the raceway, located in the center of the cabinet.
5. Run the ground and power cables together through one of the knockouts. Connect the earth ground and power wiring to each KT-300 door controller as per the *KT-300 Installation Manual DN1315*.
6. Run the remaining cables **together through a separate knockout than in Step 5**. Connect the inputs, relay outputs, auxiliary outputs, lock outputs and readers to each KT-300 door controller as per the *KT-300 Installation Manual DN1315*.



8-Door cabinet  
KT-CAB3000LDR

**Note:** Make sure that you don't exceed the conduits capacity according to the specifications and the local building code.

7. Install and connect the tamper switch to KT-300 #1, input 5 as per the *KT-300 Installation Manual DN1315*.
8. Connect all the KT-300 door controllers to the RS-485 bus as per the *KT-300 Installation Manual DN1315*.
9. Install a battery on the battery bracket below each KT-300 and connect it to the corresponding KT-300.
10. Install the raceway plastic covers.
11. Power up all the KT-300 door controllers and verify communication with EntraPass.

12. Install the cabinet door as per the *HS-LDR Series – Cabinet Doors Installation Instructions* provided with the door.

